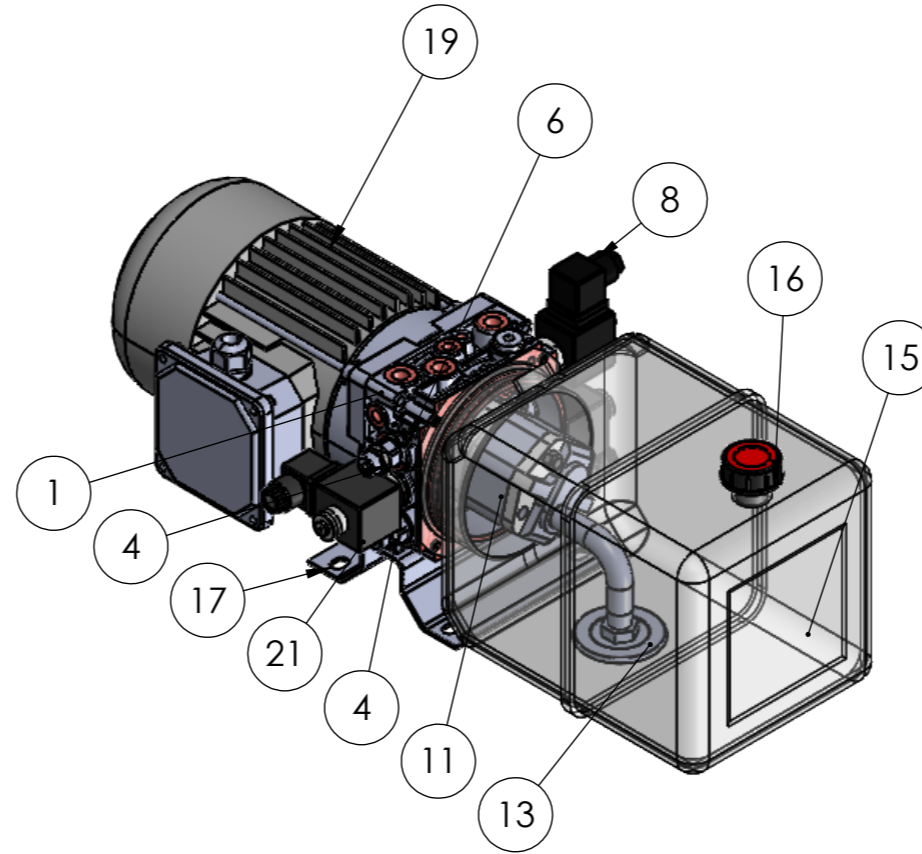
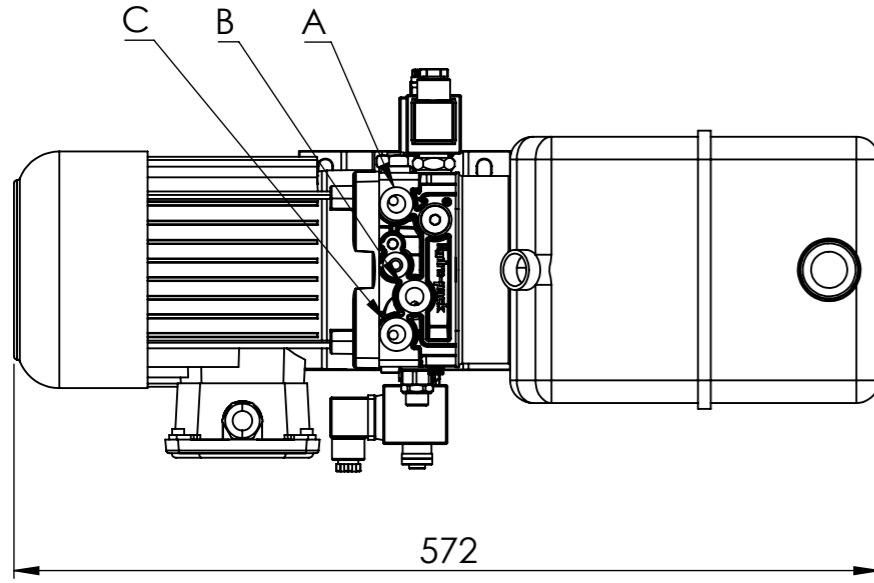
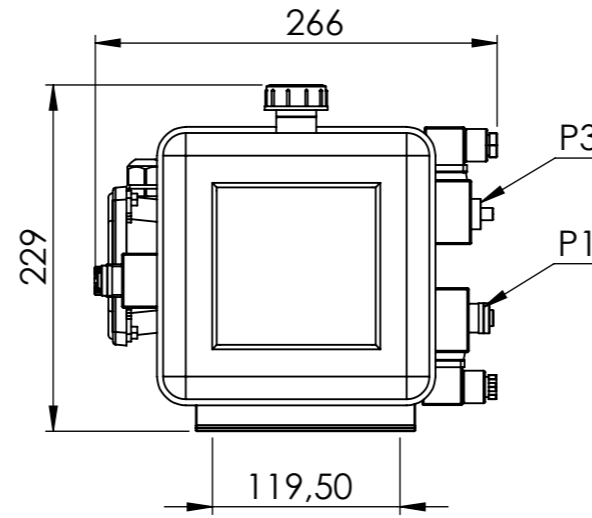
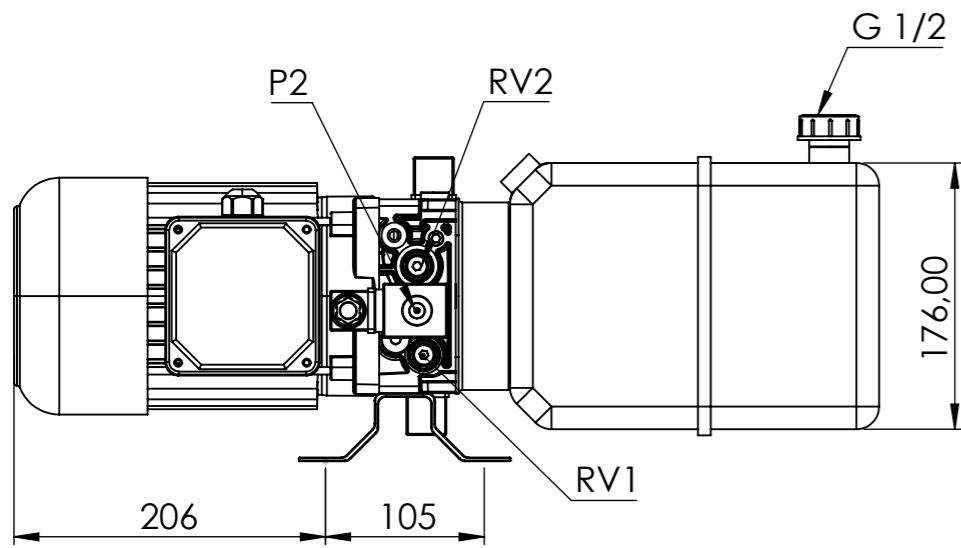


# DLT-A14-P08-12B-TPL06H-N



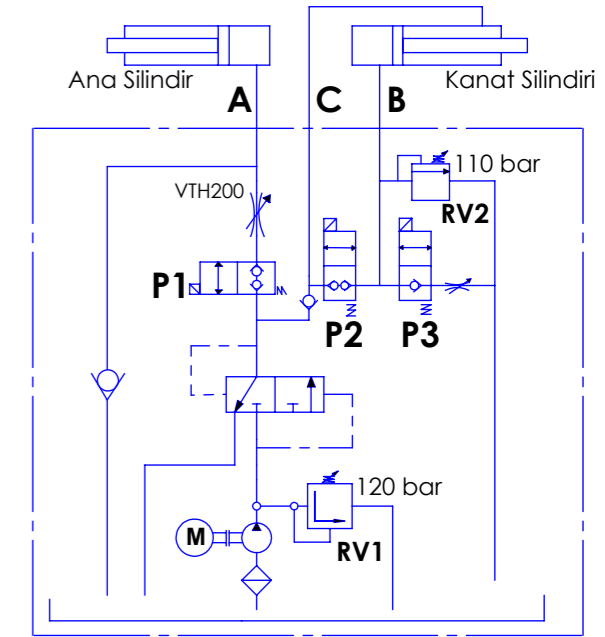
NO	Parça kodu	Adet
1	TDL.01	1
2	HP-CV	2
3	PCV	1
4	HP-PRV-05	2
6	HP-FCV	1
7	HP-PCFCV-02-1	1
8	P-NC-24 (KMP-24)	1
10	TDL coupling	1
11	10C1.8X302	1
13	Filter	1
15	TPL06H	1
16	AB-1/2"	1
17	Connection plate	1
19	AC-3V-1.1-2800	1
20	SP-90-S	1
21	P-DL-12	2
26	HP-SFCV(TDL)	1



	M	P1	P2	P3
Ana silindir açma	X	X		
Ana silindir kapatma		X		
Kanat silindiri açma	X		X	
Kanat silindiri kapatma	X			X

M : Elektrik motoru  
X : Enerjili

## Hidrolik Devre A,B,C: G 1/4"



### NOTES

#### ELECTRIC MOTOR

POWER	1.1 kW
VOLTAGE	380 V AC
SPEED	2800 rpm
FREQUENCY	50 Hz.

#### PUMP

DISPLACEMENT	1.8 cc/rev
--------------	------------

#### OIL TANK

CAPACITY	6 liter
TYPE	Cylinder
ASSEMBLY	Horizontal
MATERIAL	Steel

#### MASS MAX PRESSURE

120 bar

#### DESIGNED BY

#### CHECKED BY

#### DATE

#### REVISION

#### REVISION DATE



#### DESCRIPTION

### MINI POWERPACK

SCALE: 1:5

DIMENSIONS: mm

**A3**