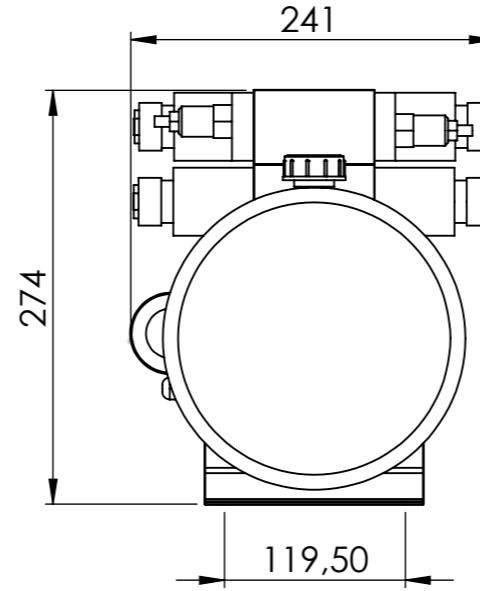
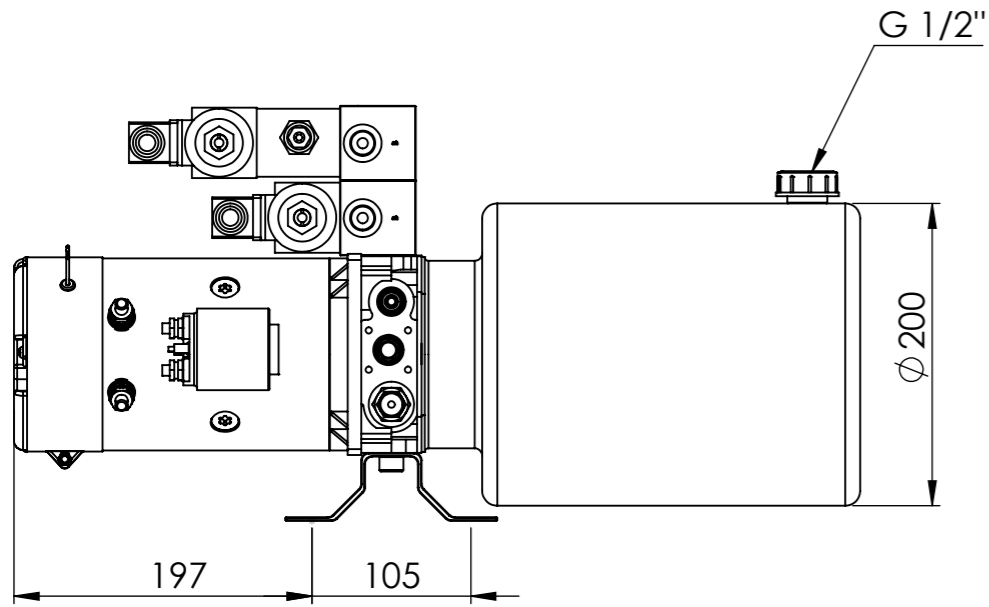
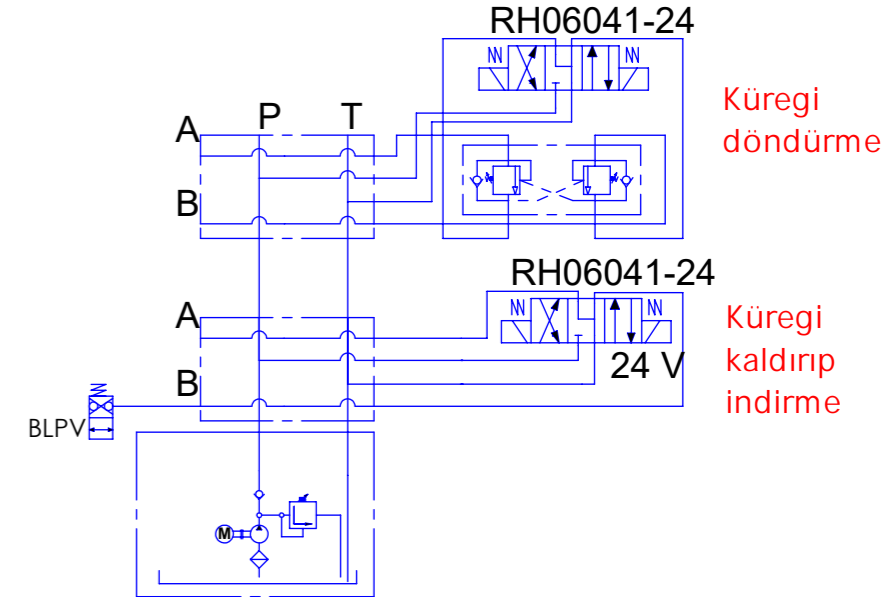


PART NO.	PART NAME	QTY.
1	MBWOP-10	1
4	DC coupling	1
5	Return Plastic	1
6	Connection plate	1
8	RH06041-24	2
9	Filter	1
10	AB-1/2"	1
11	SP-90-L	1
12	STX24V150	1
13	TV08Y	1
14	10C2.1X302	1
15	HP A03	2
18	OWC-6M 25 AB	1
19	DC24MY-3-3500	1



### Hydraulic Circuit

A, B = G 3/8  
P, T = G 1/4



NOTES			MASS	DESIGNED BY
BLPV blok opsiyoneldir, yüzer pozisyon için kullanılır.				
ELECTRIC MOTOR	PUMP	OIL TANK	MAX PRESSURE	CHECKED BY
POWER 3 kW	DISPLACEMENT 2.1 cc/rev	CAPACITY 8 liter	205 bar	
VOLTAGE 24V DC		TYPE Cylinder		DATE
SPEED 3500rpm		ASSEMBLY Horizontal		REVISION
FREQUENCY		MATERIAL Steel		REVISION DATE

DESCRIPTION	
<b>MINI POWERPACK</b>	
SCALE: 1:5	DIMENSIONS: mm
<b>A3</b>	