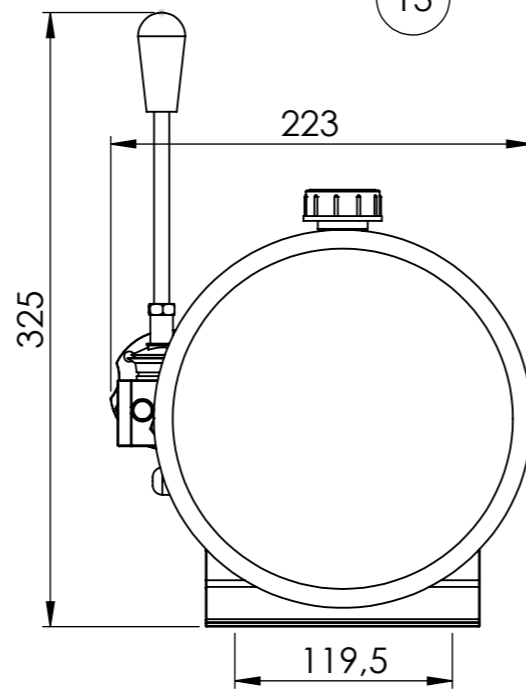
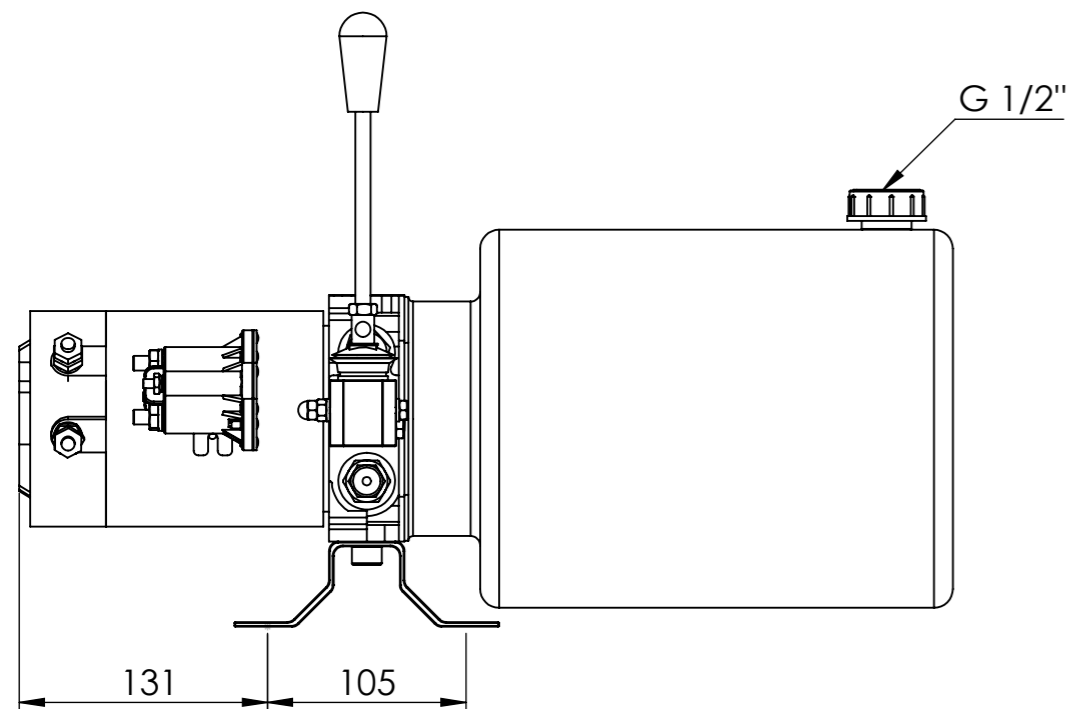
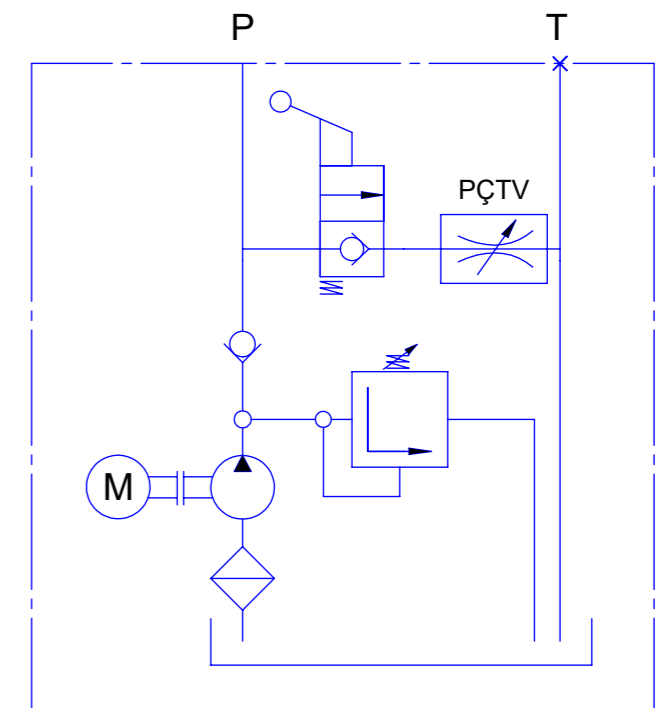


PART NO	PART NAME	QTY.
1	MBWP-10	1
2	DC coupling	1
3	Return plastic	1
4	Connection plate	1
7	Filter	1
8	AB-1/2"	1
9	10C1.3X302	1
10	SP-90-L	1
11	DC12MY-1.6	1
12	STT12V150	1
13	TV08Y	1
14	PÇTV	1
15	MP	1



Hydraulic Circuit
P, T = G 3/8"



NOTES

ELECTRIC MOTOR

PUMP

OIL TANK

MAX PRESSURE

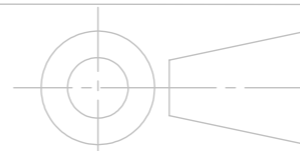
DESIGNED BY

CHECKED BY

DATE

REVISION

REVISION DATE



POWER
1.6 kW

DISPLACEMENT
1.3 cc/rev

CAPACITY
8 liter

220 bar

VOLTAGE
12 V DC

TYPE
Cylinder

SPEED
2500 rpm

ASSEMBLY
Horizontal

FREQUENCY

MATERIAL
Steel

P

DESCRIPTION

MINI POWERPACK

SCALE: 1:5

DIMENSIONS: mm

A3