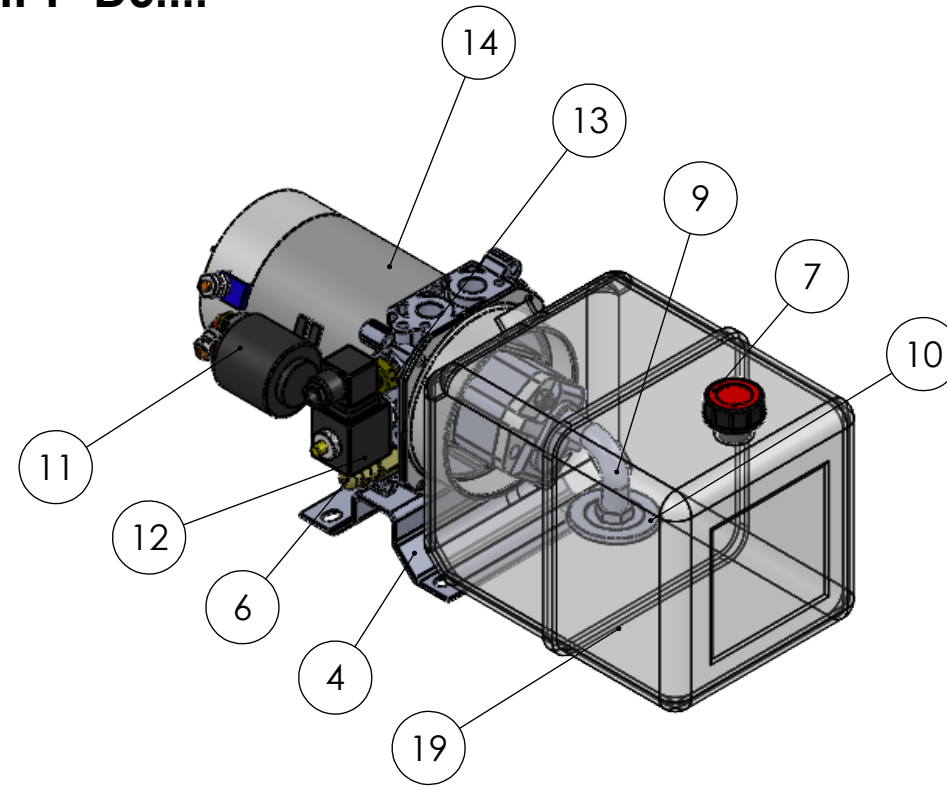
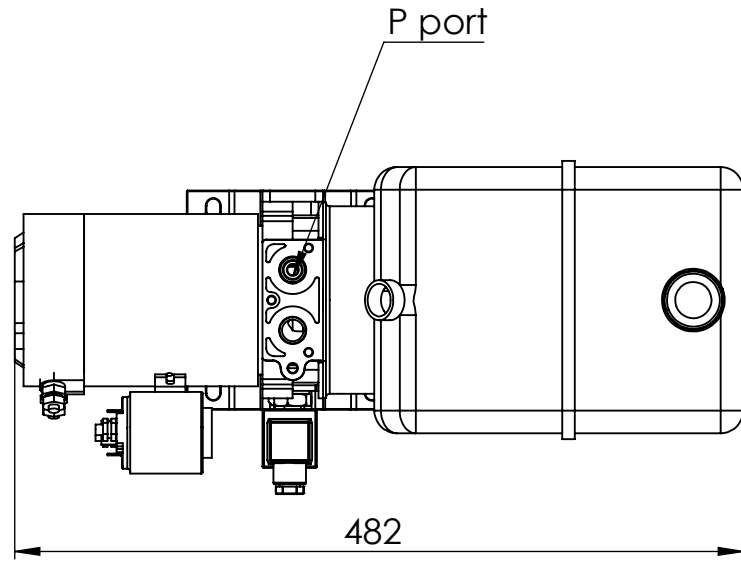
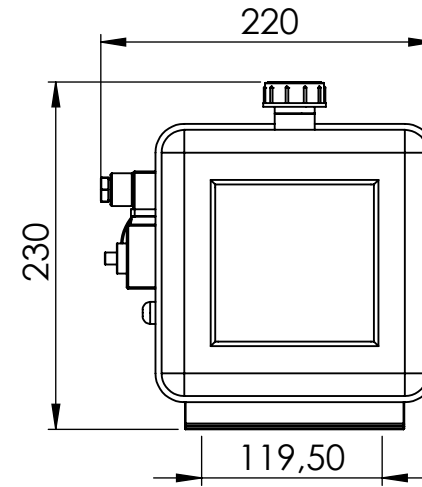
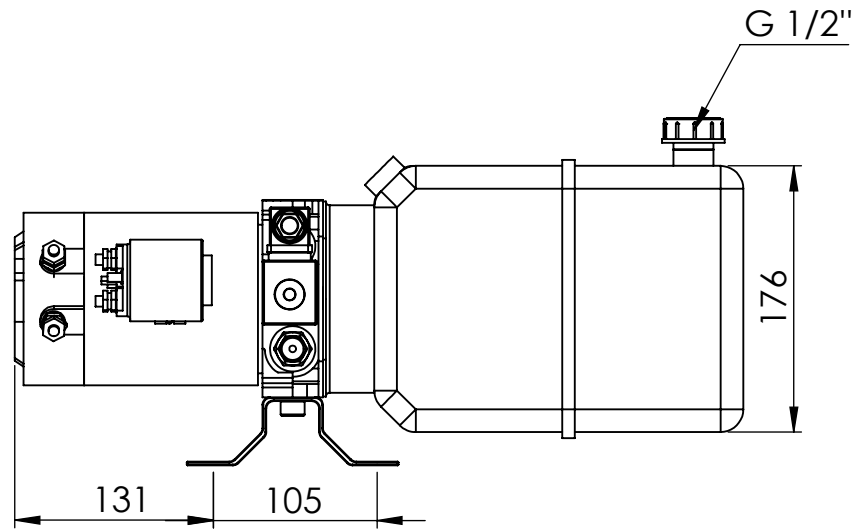


# HPP-D5....

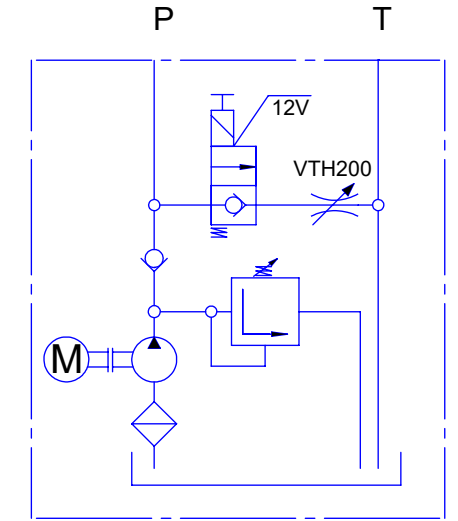
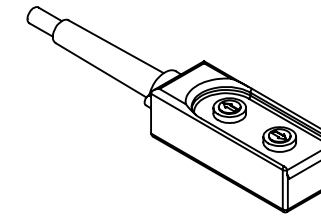


PART NO.	PART NAME	QTY.
1	MBWP-10(Popetli)	1
2	DC coupling	1
3	Return plastic	1
4	Connection plate	1
7	AB-1/2"	1
8	10C2.1X302	1
9	SP-90-S	1
10	Filter	1
11	STX12V150	1
12	P-NC-MO-12	1
13	HP-SFCV(VTH200)	1
14	DC12MY-1.6	1
19	TPL06	1

**Hydraulic Circuit**  
P, T = G 3/8"



2 button control and 2.5 meter cable added.  
2'li buton ve 2.5 metre kablo eklenecektir.



**NOTES** 2 button control and 2.5 meter cable added.  
2'li buton ve 2.5 metre kablo eklenecektir.

<b>ELECTRIC MOTOR</b>	<b>PUMP</b>	<b>OIL TANK</b>	<b>MAX PRESSURE</b>
<b>POWER</b> 1.6 kW	<b>DISPLACEMENT</b> 2.1 cc/rev	<b>CAPACITY</b> 6 liter	155 bar
<b>VOLTAGE</b> 12 V DC		<b>TYPE</b> Square	
<b>SPEED</b> 2500rpm		<b>ASSEMBLY</b> Horizontal	
<b>FREQUENCY</b>		<b>MATERIAL</b> Plastic	

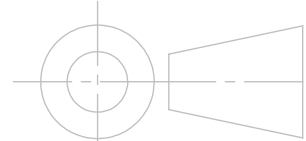
**DESIGNED BY**

**CHECKED BY**

**DATE**

**REVISION**

**REVISION DATE**



**DESCRIPTION**

**MINI POWERPACK**

SCALE: 1:5

DIMENSIONS: mm

**A3**