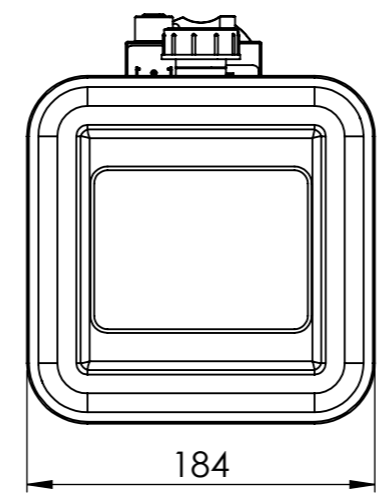
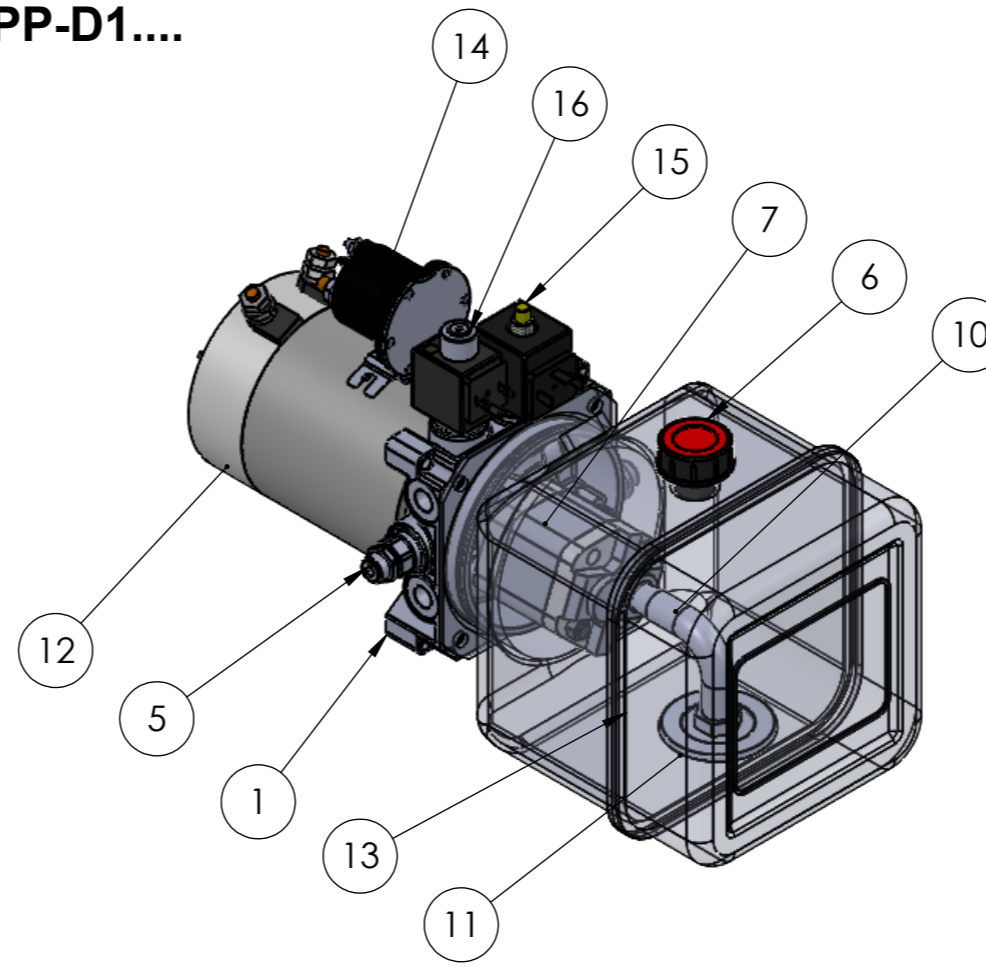
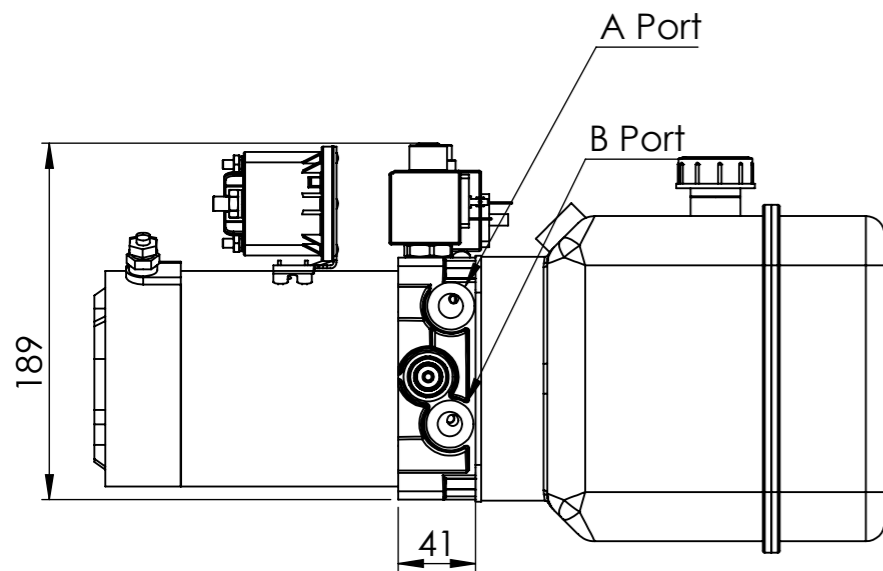
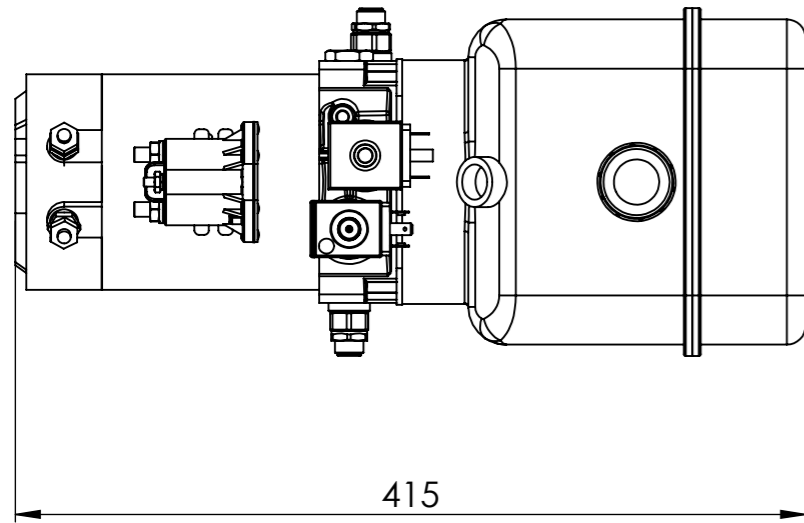
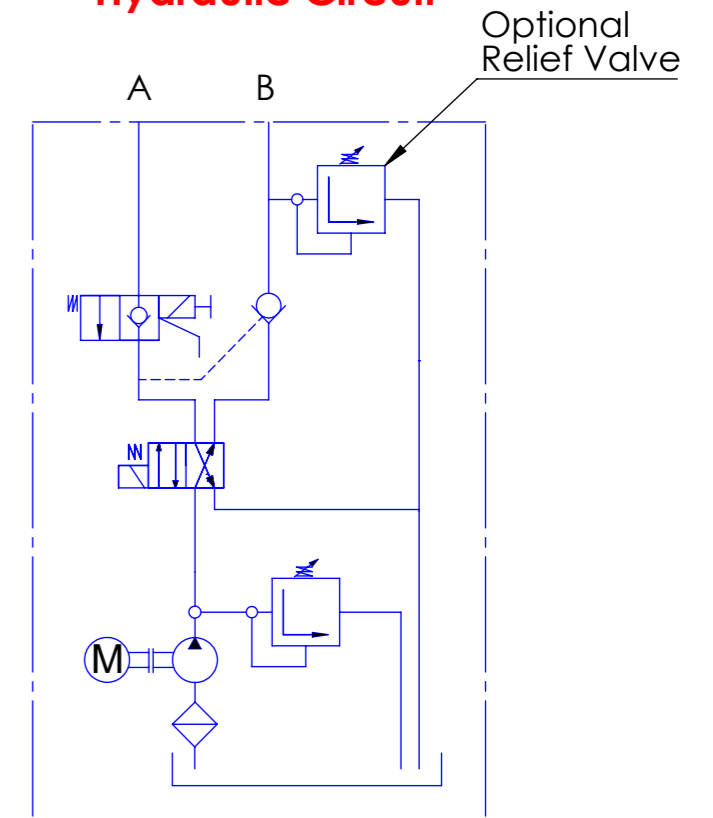


# HPP-D1....



PART NO.	PART NAME	QTY.
1	DT.01	1
2	DC Coupling	1
3	Weld Neck	1
5	PRV	2
6	AB 1/2"	1
7	10C2.1X302	1
10	SP-90-S	1
11	Filter	1
12	DC12V-1.6-2500	1
13	TPL04	1
14	STT12V150	1
15	P-NC-12	1
16	P-DC-12	1

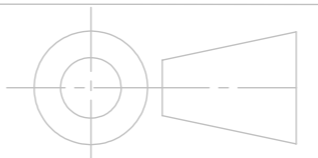
## Hydraulic Circuit



**NOTES** 2 button control and 8 meter cable added.  
2'li buton ve 8 metre kablo eklenecektir.

ELECTRIC MOTOR	PUMP	OIL TANK
<b>POWER</b> 1.6 kW	<b>DISPLACEMENT</b> 2.1 cc/rev	<b>CAPACITY</b> 4 liter
<b>VOLTAGE</b> 12 V DC		<b>TYPE</b> Square
<b>SPEED</b> 2500rpm		<b>ASSEMBLY</b> Horizontal
<b>FREQUENCY</b>		<b>MATERIAL</b> Plastic

MASS	DESIGNED BY
<b>MAX PRESSURE</b> 150 bar	<b>CHECKED BY</b>
	<b>DATE</b>
	<b>REVISION</b>
	<b>REVISION DATE</b>



DESCRIPTION	
<b>MINI POWERPACK</b>	
SCALE: 1:5	DIMENSIONS: mm
	<b>A3</b>