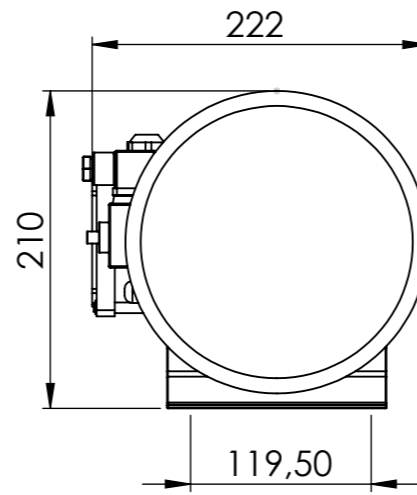
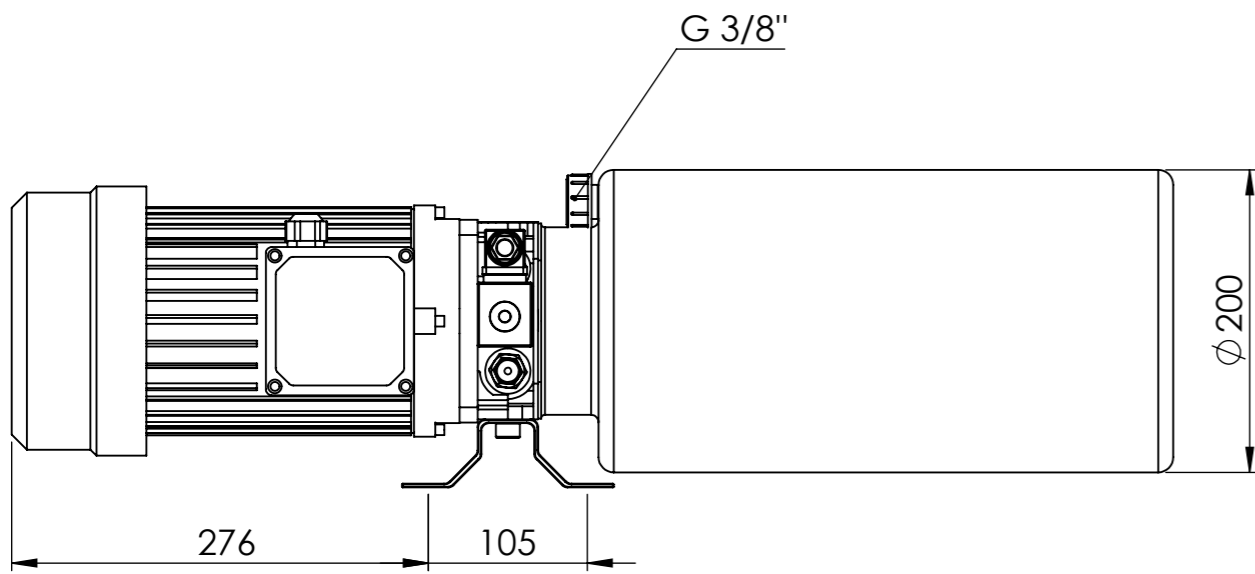
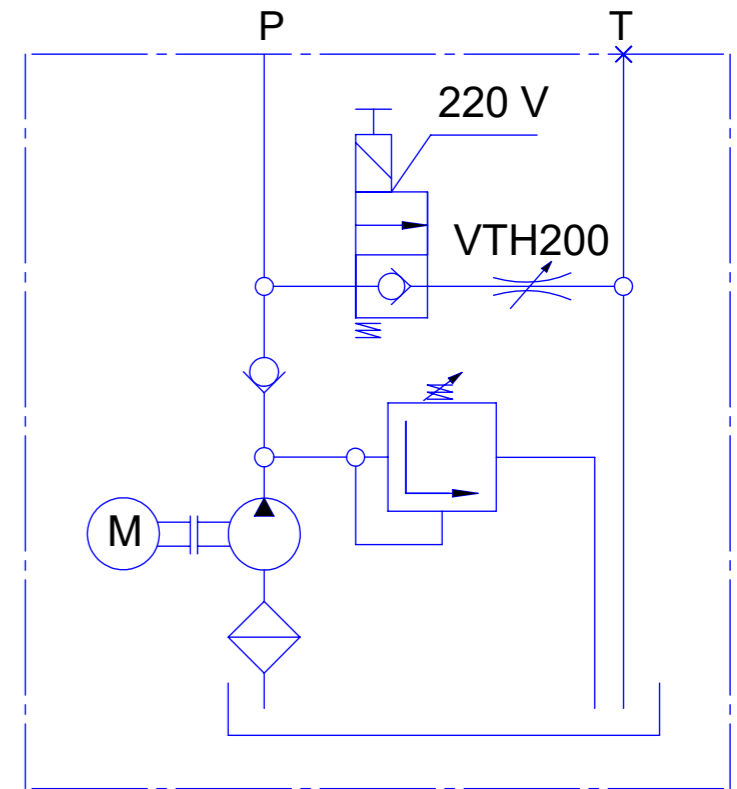


PART NO.	PART NAME	QTY.
1	MBWP-10	1
2	AC coupling	1
3	Return plastic	1
4	Connection plate	1
7	10C4.2X302	1
8	A-B 3/8"	1
9	Filter	1
10	AC-3H-2.2-1500	1
11	TV12D	1
12	HPSP-260	1
13	P-NC-MO	1
14	SFCV (VTH200)	1



Hydraulic Circuit
P, T = G 3/8"



NOTES			MASS	DESIGNED BY	DESCRIPTION
ELECTRIC MOTOR	PUMP	OIL TANK	MAX PRESSURE	CHECKED BY	
POWER 2.2 kW	DISPLACEMENT 4.2 cc/rev	CAPACITY 12 liter	190 bar	DATE	
VOLTAGE 380 V AC		TYPE Cylinder		REVISION	
SPEED 1500rpm		ASSEMBLY Vertical		REVISION DATE	
FREQUENCY 50 Hz.		MATERIAL Steel			SCALE: 1:5
					DIMENSIONS: mm
					A3

MINI POWERPACK